



**Azarakhsh Energy Moham Shargh
Engineering Co.**

About us

With a rich history spanning over a decade, we take pride in being a trusted and experienced EPC general contractor since 2006.

1. Industry Focus: The company operates in the following industries:

- Power and electricity industry
- Oil and gas sector
- Petrochemical industry
- Metal industries (copper, steel, and aluminum)
- Railway industry

2. Expertise and Departments: The company has expertise and dedicated personnel in various areas:

- Engineering and planning department with 150 personnel specializing in HV, LV, and Civil engineering
- Substation Automation System (SAS) department
- Domestic and international trades department
- Contracts, project management, and installation department

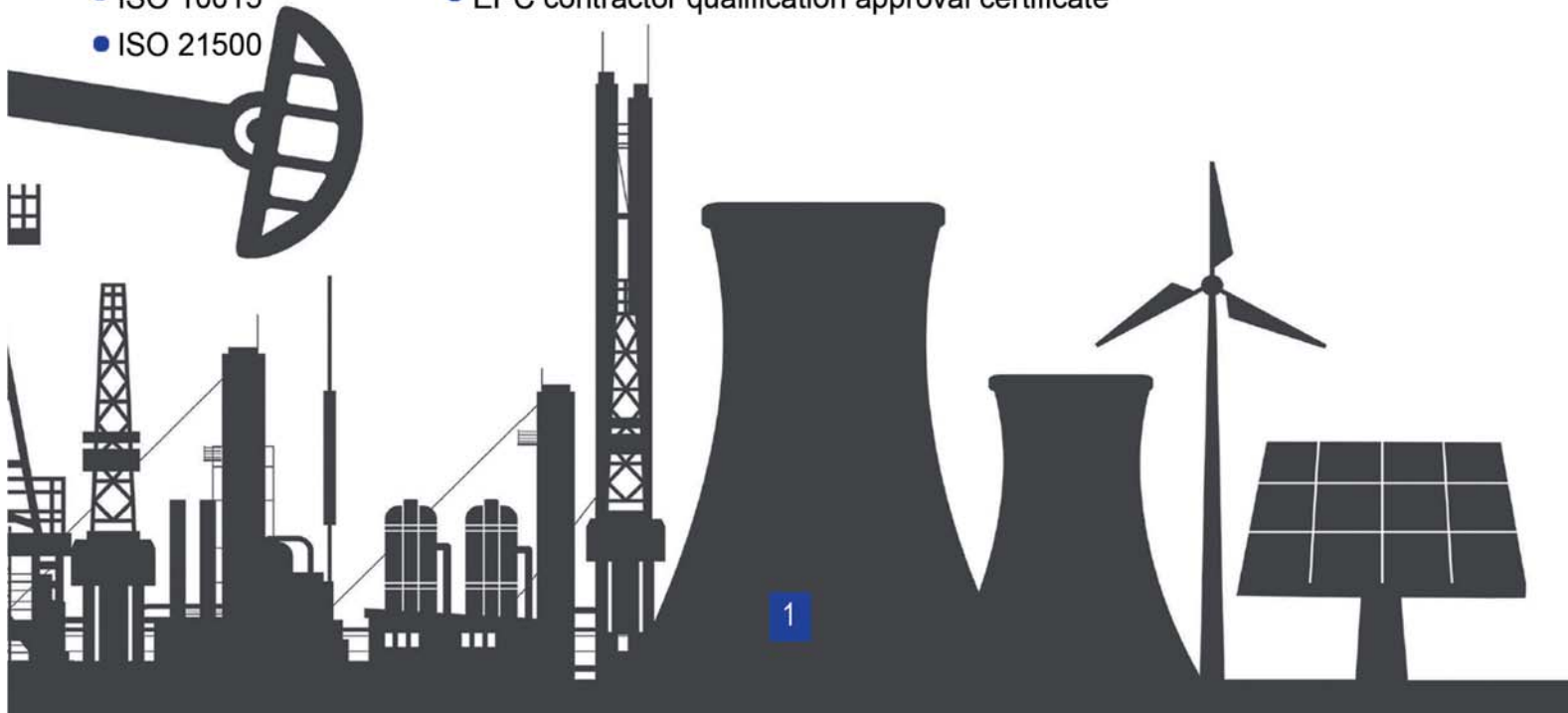
3. Project Portfolio: The company has successfully completed various types of projects:

- 90 EPC substation projects
- 25 EPC power transmission and distribution lines projects
- 120 retrofitting, operation, and maintenance projects
- 24 SAS (DCS) software projects
- 203 MW solar power plant projects

4. Value Proposition: The company emphasizes its dedication to excellence, reliability, and timely project delivery. They highlight their commitment to providing tailor-made solutions, collaborating with clients, and maintaining high-quality standards.

Certificates :

- ISO 9001
- ISO 14001
- ISO 45001
- ISO 10015
- ISO 21500
- ISO HSE-MS
- Siemens cooperation partner
- Certificate of confirmation of the qualification of a rank one force contractor
- EPC contractor qualification approval certificate

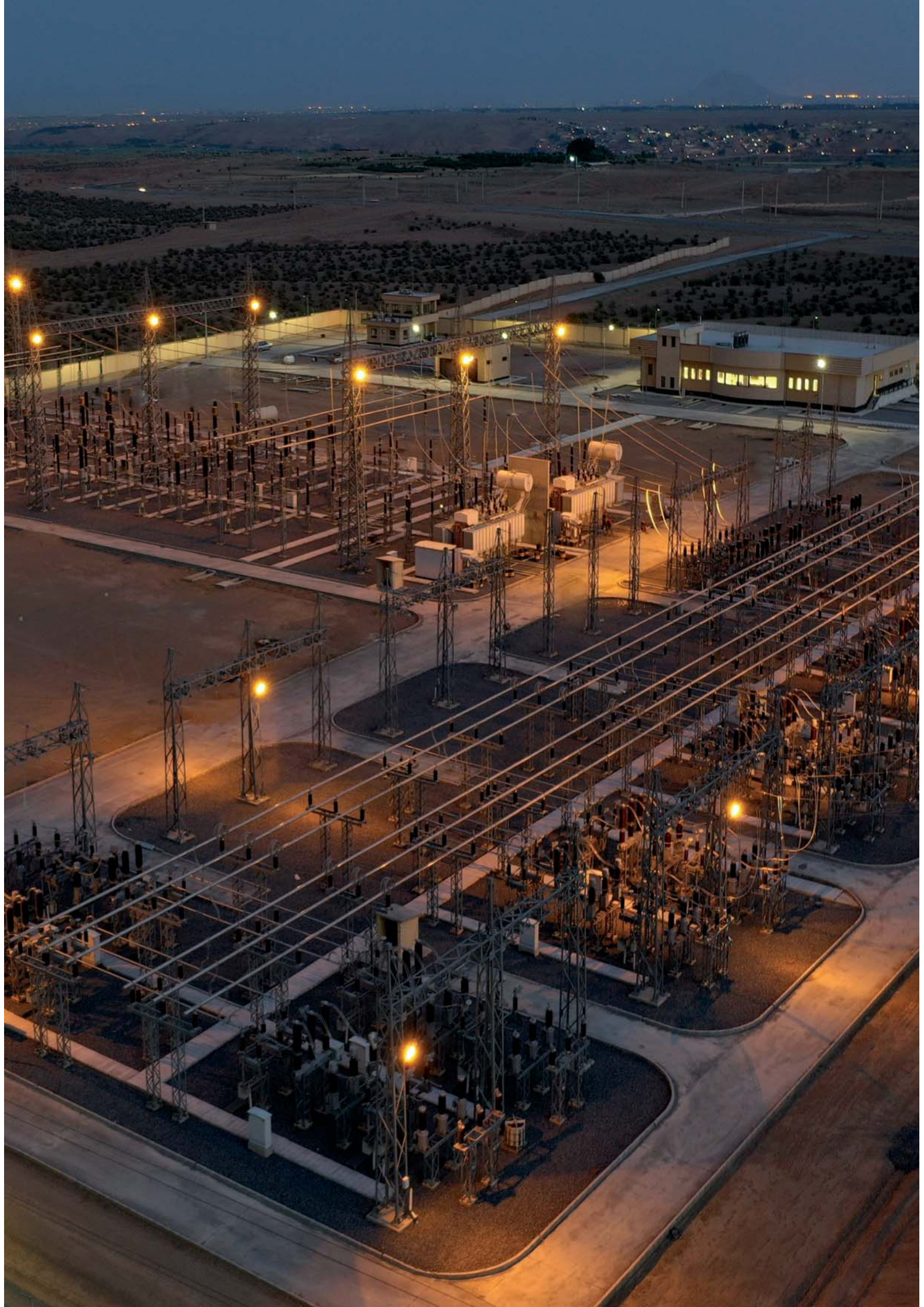


Activities

In the realm of our activities, we excel in a wide range of endeavors. Here's an overview of our expertise:

1. **EPC and EPCF Projects:** We specialize in executing EPC (Engineering, Procurement, and Construction) and EPCF (Engineering, Procurement, Construction, and Financing) projects for both AIS (Air Insulated Substations) and GIS (Gas Insulated Substations), along with power transmission lines. Our proficiency extends up to 400 kV and even higher voltage levels.
2. **Substation Design and Automation:** Our capabilities encompass the design of substations utilizing Iranian aSAS software. We possess the expertise to develop substations at transmission and distribution voltage levels. Furthermore, we offer services for acquiring licenses and provide comprehensive substation automation system engineering services.
3. **Operation and Maintenance:** We undertake the crucial responsibility of operating and maintaining substations, transmission and distribution lines, as well as cable networks, up to 400 kV. Our team is equipped with the knowledge and experience to ensure the smooth functioning and longevity of these critical assets.
4. **Renewable Energy (Solar Power Plant):** Embracing sustainable practices, we actively engage in the field of renewable energy. Our involvement includes the development and execution of solar power plant projects, contributing to the generation of clean and environmentally friendly electricity.
5. **Substation Equipment Optimization:** We recognize the significance of optimizing substation equipment for enhanced performance and efficiency. Through our expertise, we provide solutions and strategies to maximize the effectiveness of substations, improving overall operations.







Azarakhsh Energy Moham Shargh stands as a leading contracting company in power design and construction. Our capabilities extend to the simultaneous construction of various types of AIS (Air Insulated Substations) and GIS (Gas Insulated Substations) in a turnkey manner. We excel in providing engineering, goods supply, and construction services (EPC) through conventional methods. Additionally, we possess expertise in DCS (Distributed Control System) implementation across key industries.

Our history showcases a strong track record in turnkey construction of high voltage air power transmission lines. We have successfully executed projects at voltage levels ranging from 33 kV to 400 kV. Our portfolio features diverse types of transmission line structures, including telescopic towers, lattice towers, and concrete beams. Whether single circuit or double circuit, we have the expertise to handle the construction of power transmission lines. Furthermore, our portfolio encompasses the implementation of high voltage cables ranging from 20 kV to 230 kV.

With a wealth of experience and a commitment to excellence, we are dedicated to delivering exceptional results in the field of substations and transmission lines. Our comprehensive services and expertise ensure the successful completion of projects, providing reliable and efficient power infrastructure.





Renewable Energy

In response to the growing demand for clean and sustainable energy, our company is actively exploring new methods of electricity generation through renewable power plants. We collaborate with subsidiaries to conduct feasibility studies, obtain licenses, design systems, procure equipment, install, test, and commission photovoltaic power plants for investment and contracting purposes.





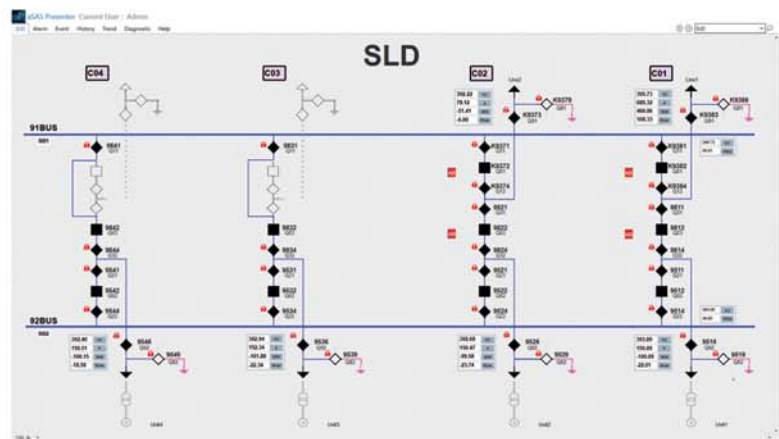


aSAS automation software

Our experienced team of 25 expert programmers and cyber experts developed our substation automation software in 2011. Four years later, in 2015, the software was officially launched by the President of the Republic and the Minister of Energy at the Mashhad 132 kV substation, where it was successfully deployed.

This software is used in a number of transmission substation as follows:

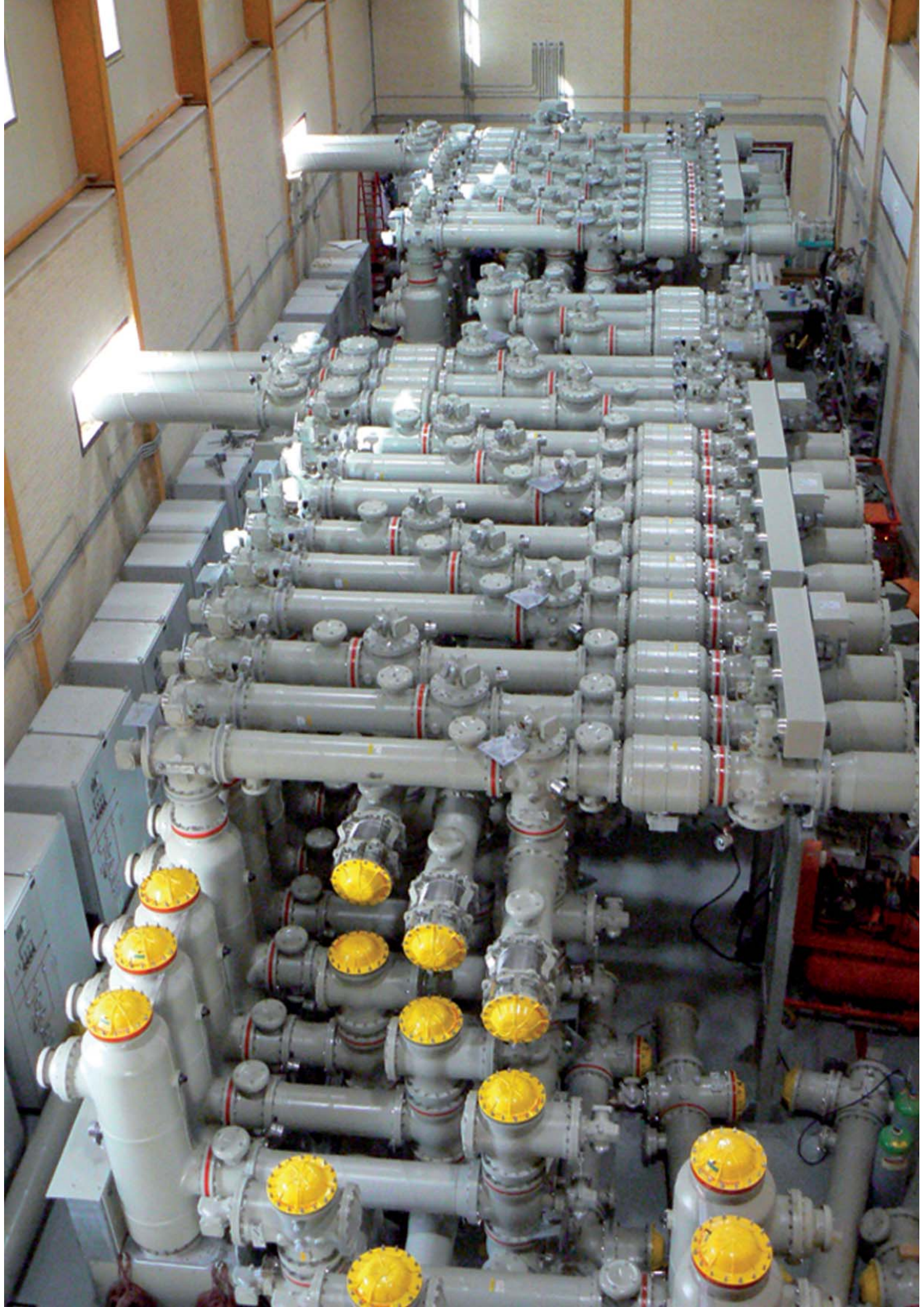
- Zagores Power Station
- Firuzeh Neishabur
- Tis and Golshahr
- Chabahar
- Behkaran steel
- Sanandaj
- Dehloran
- Paroud
- Sardargan
- Chamran
- Abshahr Shushtar
- Daniyal



Here are the key advantages of our software:

- Versatility: It can seamlessly communicate with various equipment brands simultaneously.
- User-friendly: Designed to be easily understood and operated efficiently by a wide audience.
- 24-hour support: Our internal support team is available round-the-clock for troubleshooting and assistance.
- IEC61850 relay compatibility: The software can support CID and ICD files associated with IEC61850 relays.





Maintenance and Repair

Our maintenance and repair services cover a wide range of specialized areas as follows:

- Electricity, water, oil, and gas industries
- High voltage substations operating at both 230 kV and 400 kV voltage levels.
- High voltage transmission lines
- Railroad transportation systems
- Steel industry facilities and refineries
- Gas and diesel power plants
- Diesel generators.





info@aemsco.ir

www.aemsco.ir